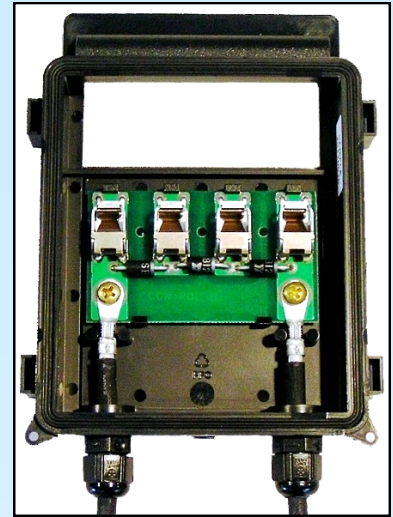
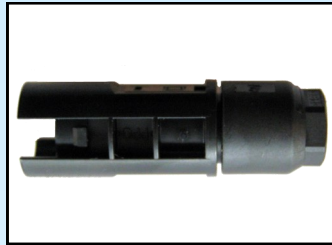
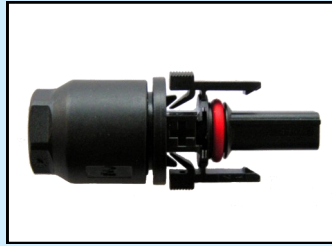


JUNCTION BOX 20110030 CONNECTOR TYCO



GENERAL TECHNICAL SPECIFICATIONS

Withstanding Voltage	1000VDC
Working Current	10A
Max. Working Voltage	60V
Rated Voltage	1000V
Rated Impulse Voltage	8KV
Protection Class	IP65
Working temperature	-40 °C ~ + 85°C
Safety Class	Class II
Fire Resistance	UL94 5VA (f1)
Pollution degree	3

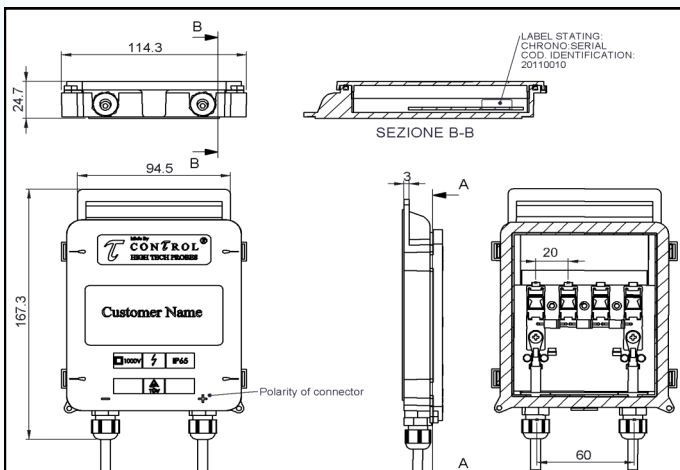
DIMENSIONAL SPECIFICATIONS

(Max external dimension if not specified)

ITEM	SPECIFICATIONS
Junction box	167.3x114,5x24,7mm
Printed circuit board	75x44x1,6mm
Size solar cable	4mm ²
Length solar cable	1 Meter

MATERIAL COMPONENTS

ITEM	SPECIFICATIONS
Junction box	PPO Black color
	UL94 5VA
	UV Resistant (f1)
Printed circuit board	FR-4 Double Layer
	UL94 V0
	Copper 70μ Gold Plated
Connector -Cable Holder	Plastic PPO color Black
	UL94 V0
	UV Resistant
Conductor cable	4mm ² Tin plated Copper
Internal Contacts	Tin Plated Brass
	Aisi 301
Faston	Tin Plated Brass
Screw and Nut	Rough Brass
Valve protection	Porous insert and Gore Vent IP 67



Cod . 201100010

Junction Box Contains :

Nr 3 :	Diode Schottky of Bypass
	12A 40V
Nr 4:	Spring Contact
Nr 2:	Ring Faston
Nr 2:	Screw and Nut
Nr 1:	Print Circuit Board