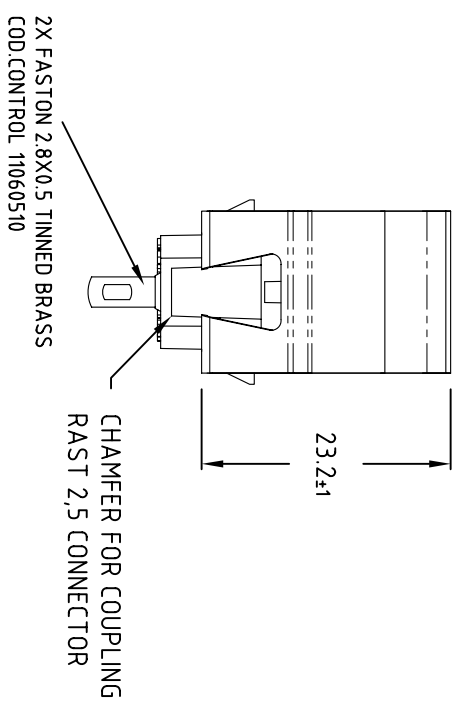
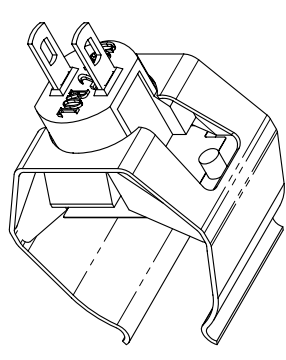
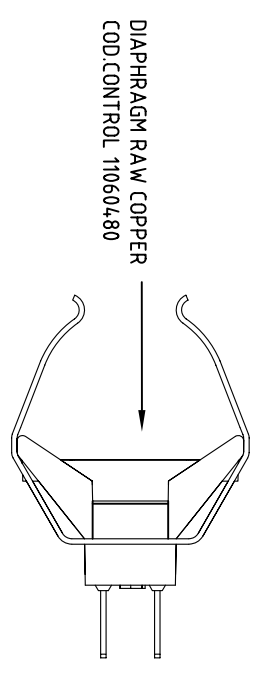
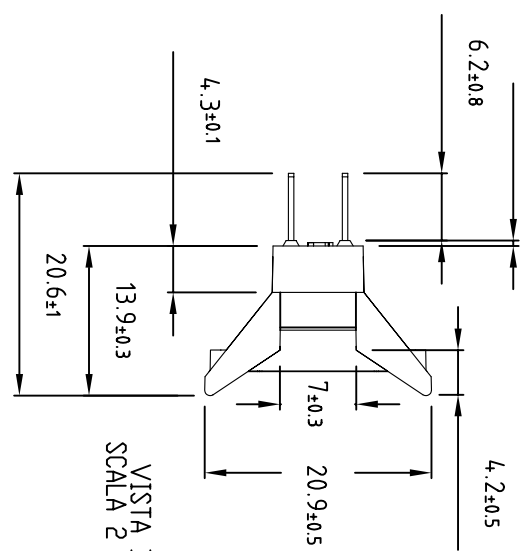
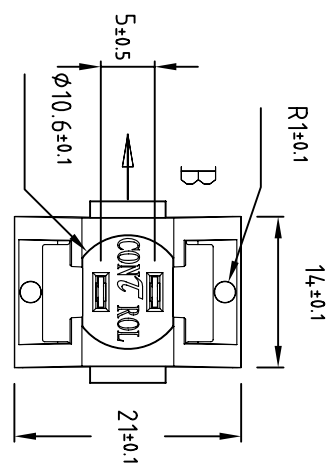


MISURE ESPRESSE IN MILLIMETRI
ALL DIMENSION ARE IN MM

| Rev. | Date: | Name: | Descrizione della modifica |
|------|----------|-------------|---|
| 0 | 27-09-07 | G.BUZZI | NEW CODE EMISSION |
| A | 2-12-08 | G.BUZZI | ADDED CHAMFER FOR COUPLING RAST 2.5 CONNECTOR |
| B | 15-10-10 | G.Filippini | UPDATED DRAWING |



TOUCH SENSING PROBE
AVAILABLE FOR Ø18mm TILL 22mm TUBE

| TECHNICAL SPECIFICATIONS: | |
|---------------------------|----------------------|
| WORKING TEMPERATURE | -25°C +105°C |
| STORAGE TEMPERATURE | -10°C +90°C |
| SENSOR | THERMISTOR |
| R25 VALUE | 10Kohm +/- 1% |
| R85 VALUE | 14.51ohm +/- 2.7% |
| RESPONSE TIME | 3435 +/- 1% |
| | 2.5" 63% Tset |
| ELECTRICAL-MECHANICAL: | |
| INSULATION RESISTANCE | 10Mohm 500Vdc |
| DIELECTRIC STRENGTH | 1.5kV X 1" |
| NTC CONTACT MTL | ETP-G VNR RAW COPPER |
| CONNECTOR | TABS 2,8X0,5 |
| IPGRADE | RAST 5mm |
| | IP44 |

PROBE BODY MATERIAL: UL TRAMID A3X2G5
OR TECHNYL A20 V25 OR VAMPAMID 66 2530 VO P
RESIN: THREE BOND WHITE OR TECBOND BLACK
STEEL CLIP: TUBE Ø 18 TILL Ø 22
MATERIAL THICKNESS 0.5mm
AISI 301 HARDNESS 14-16 ROCKWELL



Disegnato da: G.Filippini
Drawing:
Approvato da: G.Buzzi
Approved:

| | | | | | |
|---|------|---------------------------------------|----------|--------|--|
| Tolleranze generali non specificate +/- 0.1mm | | Date: | 15/10/10 | Scale: | |
| Tollerance not specified +/- 0.1mm | | Date: | | Scale: | |
| DESCRIZIONE/DESCRIPTION | | TOUCH PROBE 10K 34.35 | | | |
| CODICE CONTROL/CONTROL CODE | REV. | CODICE PRODOTTO CLIENTE/CUSTOMER CODE | | | |