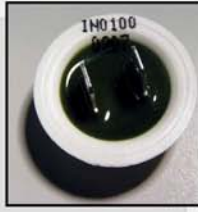


Washer/Dryer and Dishwasher Sensor Probes



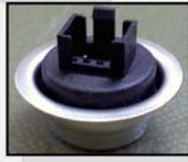
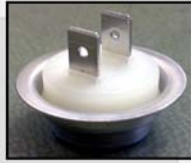
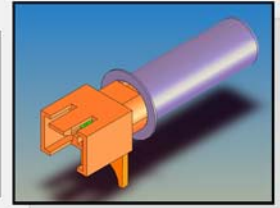
3/4" Washing NTC Probe Faston Plug
Special Nylon cap
Epoxy Resin Coated
3750V Insulation
-20C° up to 105C°



Stainless Steel AISI 304 Pipe
Female Rast 2,5 Connection
S.M.D. Technology inside
Polyurethane Resin Coated
High Speed Response Time
Connector Case Polarization
-20C° up to 125C°



Special Nylon Plastic Pipe
Female Rast 2,5 Connection
S.M.D. Technology inside
Polyurethane Resin Coated
Connector Case Polarization
-20C° up to 105C°



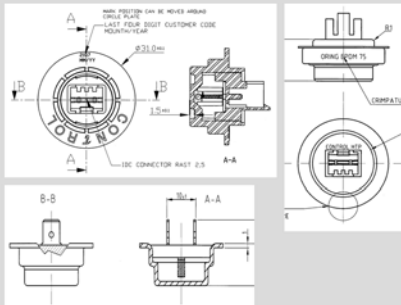
3/4" Standard Washer/Dryer NTC Probe
Faston 6,3x0,8 - Rast 2,5 Fem. Connection
Special Nylon cap with EPDM Basket
-20C° up to 105C° Hydrolysis Stabilized

3/4" Washer/Dryer NTC probe Water/Air
Stainless Steel Inox cap AISI 304
-20 up to 145C° - Ryton™ or Nylon
Plastic Housing for NTC and Rast 2,5 Plug

New, Patent Pending, NTC assembly
on Printed Circuit Board

Control H.T.P. s.r.l. produces many types of probes for Washing machines, Washer&Dryers and Dishwashing machines. NTC are used to detect Water and Air temperature from -40C° up to 145C°. These types of sensors interface with Electronic Control Board. NTC (Negative Temperature Coefficient) sensors convert water/air temperature value in electrical signal with precision up to 1 C°. C.H.T.P. production covers a large range of probes used in washing field due to their shape and NTC value. Different shape and different cap material is produced according to Customer mounting system and Customer requirements. These types of sensors can be divided in: Tub-Mounting (direct contact with water), Heating Element-Mounting (direct contact with water) and Hot Air Blower-Mounting (direct contact with hot air in dryer systems). All plastic probes, in water direct contact, are made with special Hydrolysis-Stabilized Nylon to reduce water absorption.

Tub Mounting



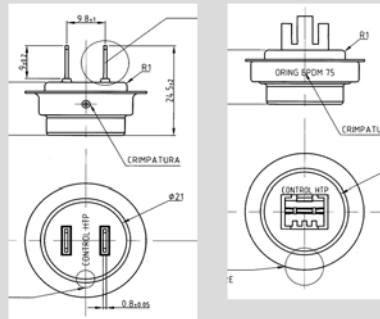
Features:

- Direct to Water Contact
- Faston and Rast 2,5 connectors
- Resin Coated Version
- Fast response time
- Washer/Dishwasher application
- EPDM Gasket available
- Low-Cost version

Electrical:

- 3750V X2 Class
- 20 seconds Thermal Time Const.
- $R_{25} = 5K-12K-20K \pm 3\%$ available
- $B_{25-85} = 3970 \pm 2\%$ value
- -20C° +105C° Working Temp.

Hot Air Blower Mounting



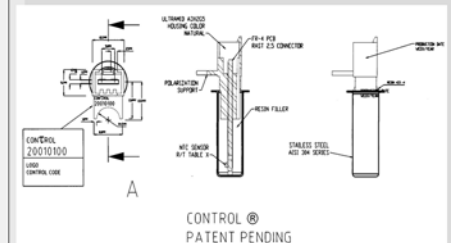
Features:

- Inox AISI 304 cap
- Faston and Rast 2,5 connectors
- Fast response time
- Glass Type NTC DO-35
- Nickel Plated Contact
- Nickel Plated Connector
- VITON® Gasket Available

Electrical:

- 3750V X2 Class
- 13 seconds Thermal Time Const.
- $R_{25} = 20K-50k \pm 3\%$ available
- $B_{25-85} = 3970 \pm 2\%$ value
- -20C° +145C° Working Temp.

Heating Element Mounting



Features:

- Inox AISI 304 pipe
- Low-Cost plastic pipe available
- Multi sensor possibility
- Connector Mounting Polarization
- P.C.B. edge connector
- SMD technology inside
- High Volume Capability

Electrical:

- 3750V X2 Class
- 15 seconds Thermal Time Const.
- $R_{25} = 5K-10K-12K-20K \pm 3\%$
- $B_{25-85} = 3970-3435 \pm 2\%$ value
- -20C° +105C° Working Temp.