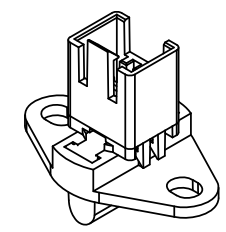
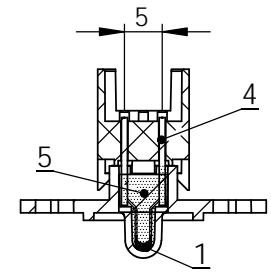
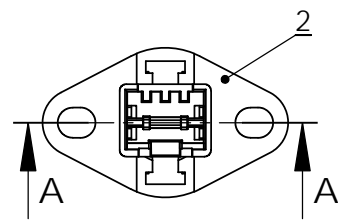
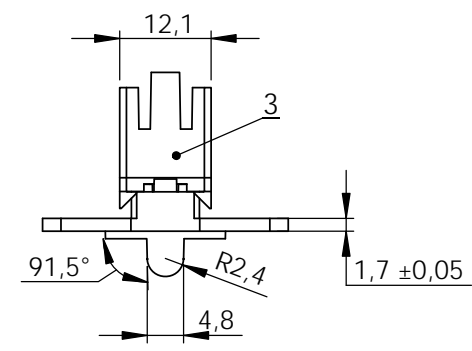
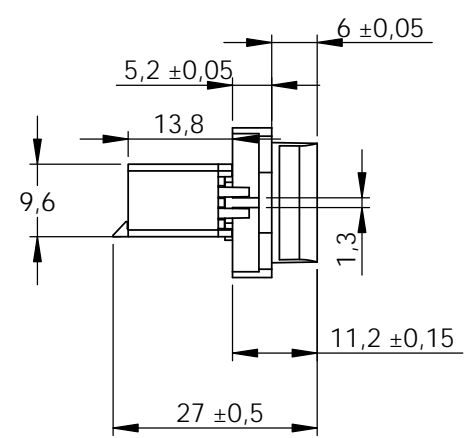
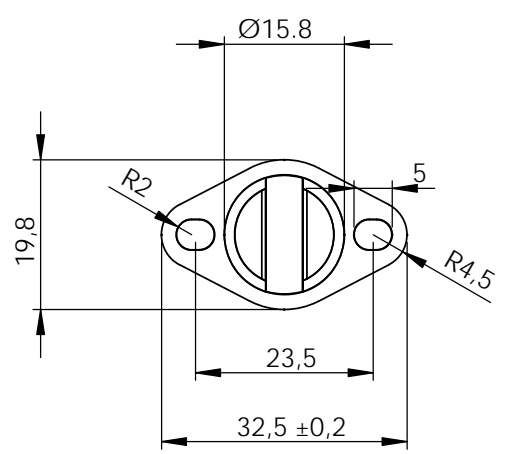


MISURE ESPRESSE IN MILLIMETRI
ALL DIMENSION ARE IN mm

Rev.	Data:	Nome:	Descrizione della modifica
0	17/07/13	G.F.	EMISSIONE NUOVO CODICE

CURVE (Water immersion 70°C-0,04m/sec)			
Temperature °C	Resistance KΩ	Temperature °C	Resistance KΩ
-20	462.89	50	18.096
-10	268.29	60	12.496
0	160.39	70	8.792
10	98.66	80	6.296
20	62.32	85	5.361
25	50.00	90	4.583
30	40.35	100	3.388
40	26.73		



SEZIONE A-A
SCALA 1 : 1

TECHNICAL SPECIFICATIONS

WORKING TEMPERATURE: -20 °C ~+ 100 °C
DIELECTRIC STRENGTH: 3750Vac x 2"
INSULATOR RESISTANCE: 50MΩ @ 500Vdc

MATERIAL SPECIFICATIONS

- 1-SENSOR NTC: 50K 3% B(25/85)=3970 1%
- 2-NTC SUPPORT PPS MATERIAL
- 3-CONNECTOR RAST 2.5 PA66 25%FV
- 4-FASTON OT Sn PLATED 1.6X0.7
- 5-EPOXY RESIN



Disegnato da: Drawing:	G.Filipponi	Tolleranze generali non specificate +/-0,1mm Tolerance not specified +/-0.1mm	Date: 17-07-13	Scale: 1:1	
Approvato da: Approved:	G.Buzzi	DESCRIZIONE/DESCRIPTION SENSOR DRYER FRONT RAST 2.5			
		CODICE CONTROL/CONTROL CODE	REV	CODICE CLIENTE/CUSTOMER CODE	
		2 001 039	0		